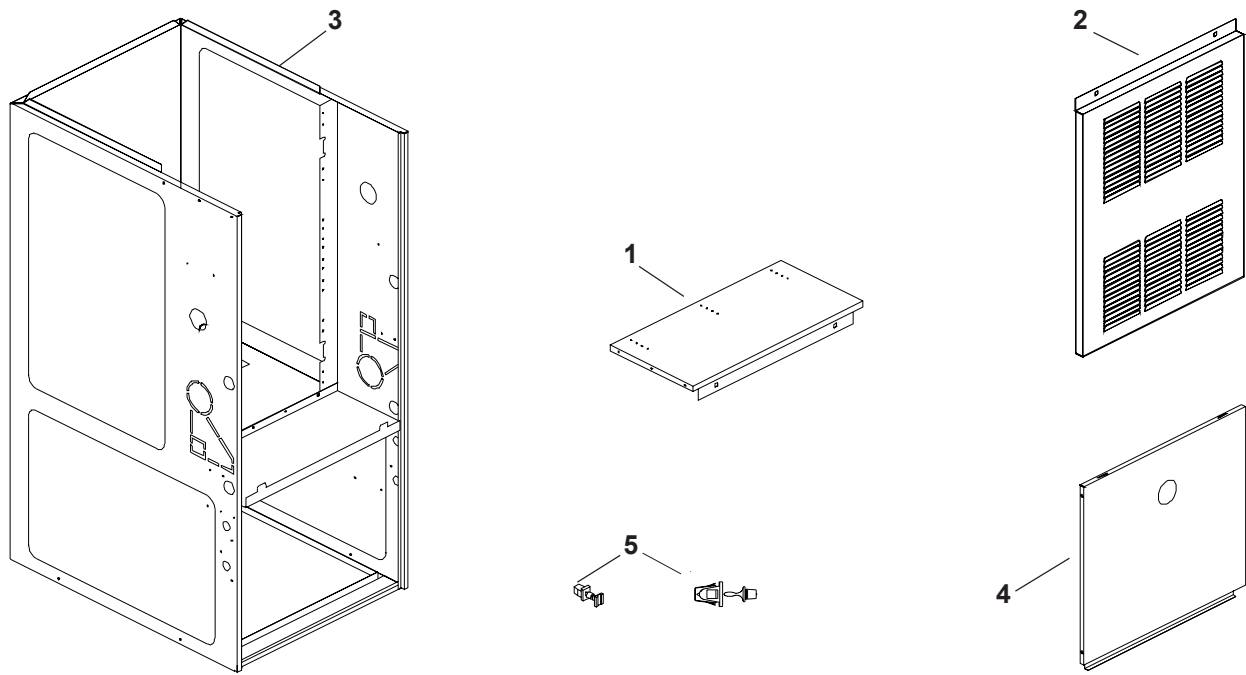


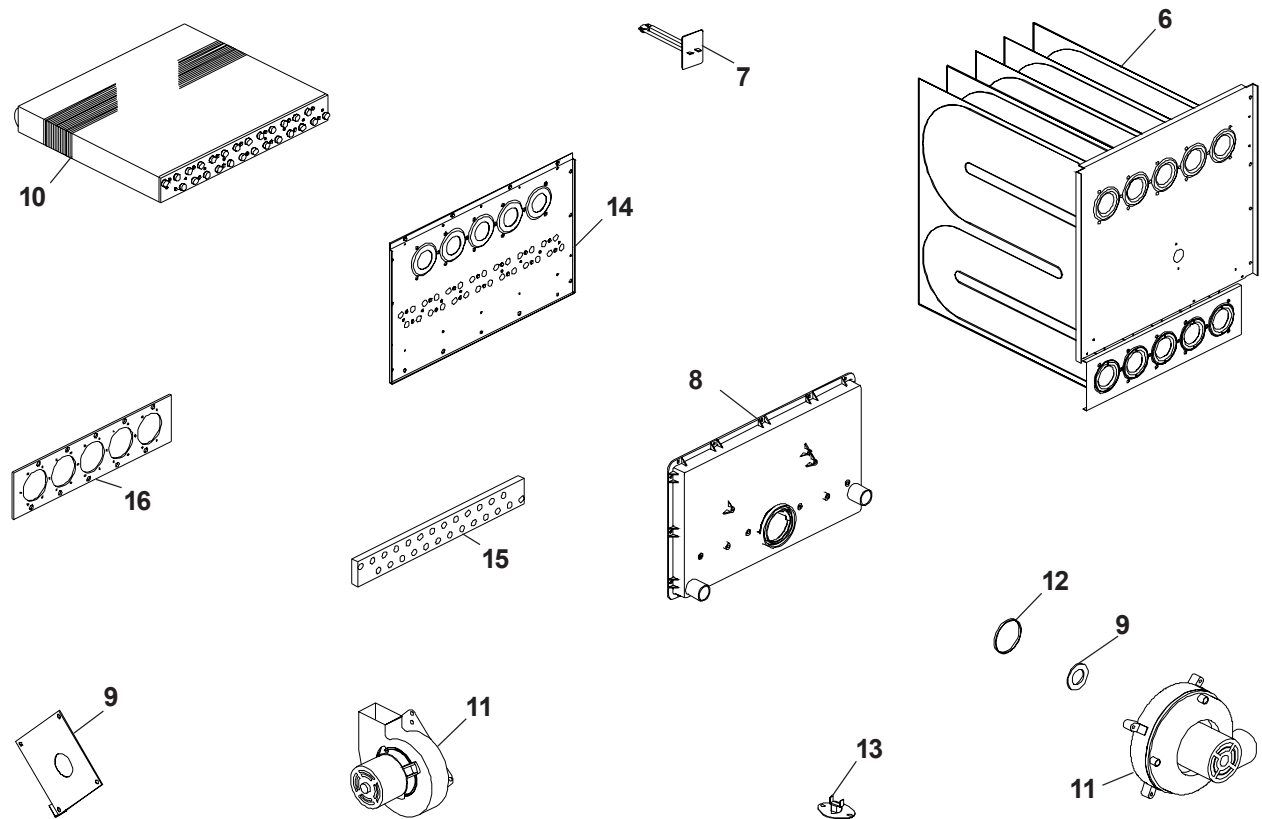
# REPAIR PARTS

MODELS: GSM &  
GSMS

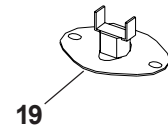
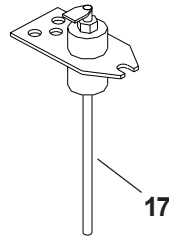
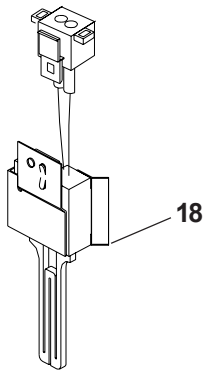
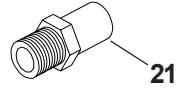
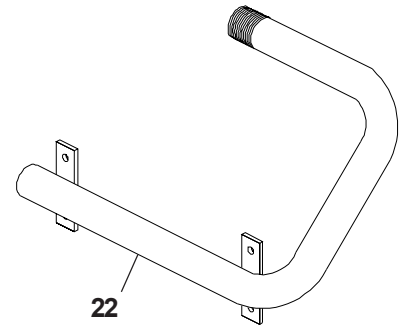
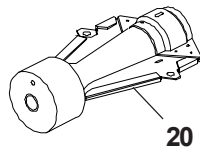
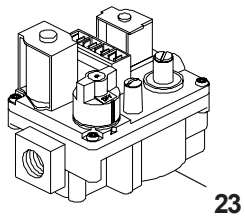
# WRAPPER ASSEMBLY



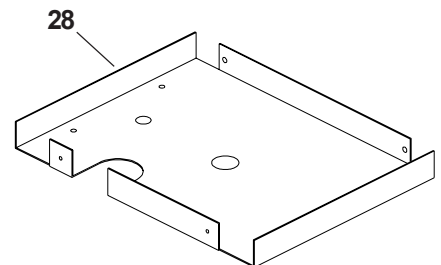
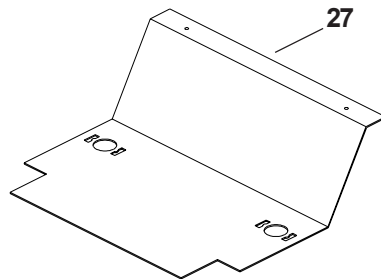
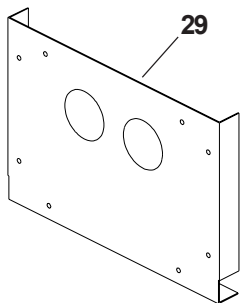
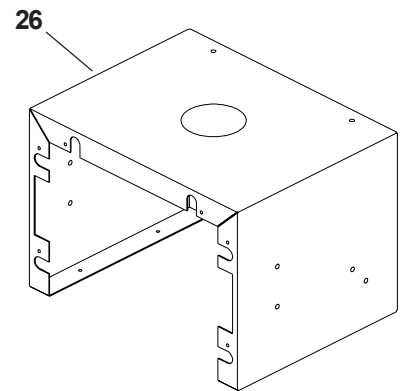
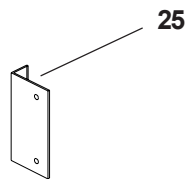
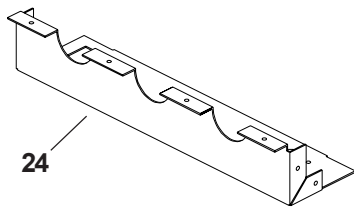
# HEAT EXCHANGER ASSEMBLY



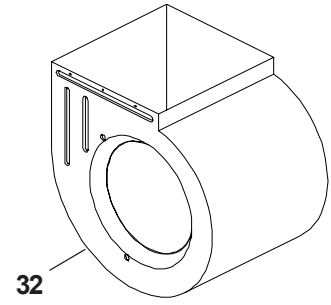
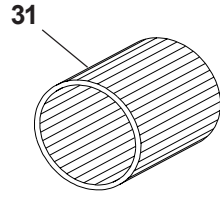
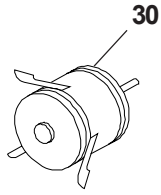
# BURNER BOX ASSEMBLY



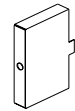
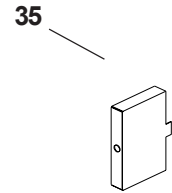
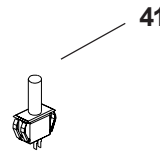
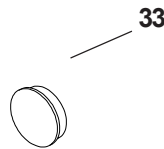
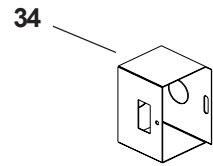
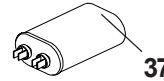
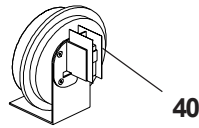
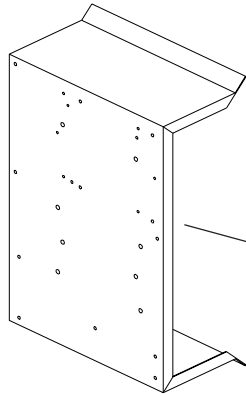
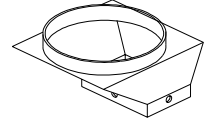
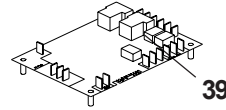
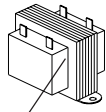
# COMBUSTION BOX ASSEMBLY



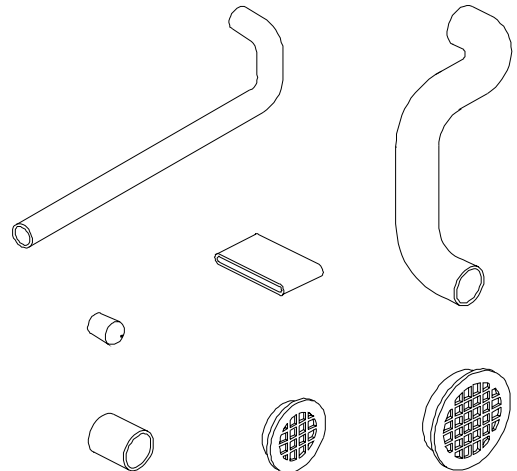
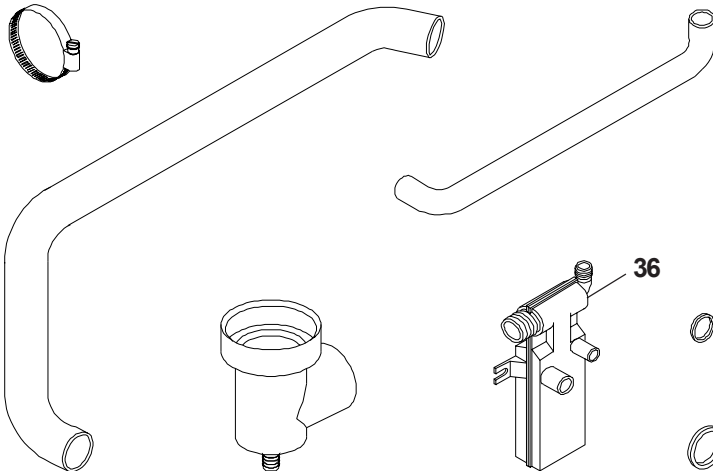
## BLOWER ASSEMBLY



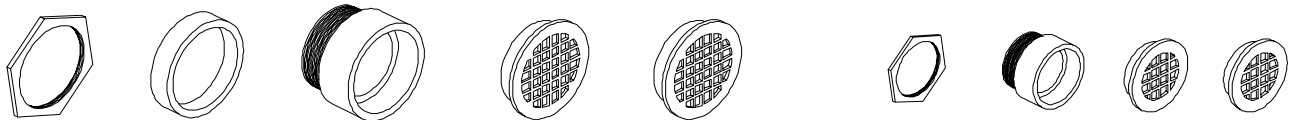
## MISC. ELECTRICAL & HARDWARE



## DRAIN TRAP & HOSE KIT (ITEM #44)



## COMBUSTION BOX KIT (ITEM #45)



I T E M	PART NUMBER	DESCRIPTION	G	G	G	G	G	G											
			S	S	S	S	S	S	S										
			0	0	1	0	0	0	1	0	0	0	0	0	0	0	0	0	0
			6	8	0	0	-	-	3	-	-	-	-	-	-	-	-	-	-
			0	0	0	0	0	0	0	0	0	0	0	0	0	0	0	0	0
			-	-	-	-	-	-	-	-	-	-	-	-	-	-	-	-	-
			3	4	4														
1	28085-00P	TOP 14" GSUS																	
	28085-01P	TOP 17" GSUS	1	1			1	1											
	28085-02P	TOP 21" GSUS			1					1									
2	28125-04	ACCESS DR. 14", GSUS W/ TURNS																	
	28125-05	ACCESS DR. 17", GSUS W/ TURNS	1	1			1	1											
	28125-06	ACCESS DR. 21", GSUS W/ TURNS			1					1									
3	28165-12S	14" WRAPPER ASM.																	
	28165-13S	17" WRAPPER ASM.	1	1			1	1											
	28165-14S	21" WRAPPER ASM.			1					1									
4	25150-04S	14" BLOWER DR., W/ VIEWPORT																	
	25150-05S	17" BLOWER DR., W/ VIEWPORT	1	1			1	1											
	25150-06S	21" BLOWER DR., W/ VIEWPORT			1					1									
5	B13921-32	1/4" TURN NYLATCH	2	2	2	2	2	2	2										
6	28213-00S	HT EXCHR. ASM., 3 CELL																	
	28213-01S	HT EXCHR. ASM., 4 CELL	1	1			1	1											
	28213-02S	HT EXCHR. ASM., 5 CELL			1					1									
7	13709-00S	LIMIT SWITCH,																	
	13709-01S	LIMIT SWITCH, 180F, 3"	1				1		1										
	13709-08S	LIMIT SWITCH, 160F, 7"		1															
	13709-10S	LIMIT SWITCH, 170F, 7"			1						1								
8	28200-04S	FLUE COLLECTOR BOX, 14"																	
	28200-05S	FLUE COLLECTOR BOX, 17"	1	1			1	1											
	28200-06S	FLUE COLLECTOR BOX, 21"			1					1									
9	B28649-03	FLUE RESTRICTOR PLATE	1				1		1										
	B28649-05	FLUE RESTRICTOR PLATE		1	1			1	1	1									
10	28646-04S	SERVICE COIL 14"																	
	28646-05S	SERVICE COIL 17"	1	1			1	1											
	28646-06S	SERVICE COIL 21"			1					1									
11	B28330-02	VENTER BLOWER ASM.	1	1	1	1	1	1	1										
12	B28326-06	O-RING	1	1	1	1	1	1	1										
13	B13702-53	STACK OVER-TEMP SWITCH	1	1	1	1	1	1	1										
*14	28301-00	LOWER INNER FRT. PANEL, 3 CELL																	
	28301-01	LOWER INNER FRT. PANEL, 4 CELL	1	1			1	1											
	28301-02	LOWER INNER FRT. PANEL, 5 CELL			1					1									
15	B28325-12	COIL/LWR. INNER FRT GASKET, 3 CELL																	
	B28325-13	COIL/LWR. INNER FRT. GASKET, 4 CELL	1	1			1	1											
	B28325-14	COIL/LWR. INNER FRT. GASKET, 5 CELL			1					1									
16	B28326-00	ATTACHMENT GASKET, 3 CELL																	
	B28326-01	ATTACHMENT GASKET, 4 CELL	1	1			1	1											
	B28326-02	ATTACHMENT GASKET, 5 CELL			1					1									

\* When ordering ITEM #14, also order #15

I T E M	PART NUMBER	DESCRIPTION	G	G	G	G	G	G										
			S	S	S	S	S	S	S									
			M	M	M	M	M	M										
			S	S	S	0	0	1										
			0	0	1	6	8	0										
			6	8	0	0	0	0										
			0	0	0	-	-	-										
			-	-	-	3	4	4										
			3	4	4													
17	B11726-06	FLAME SENSOR	1	1	1	1	1	1										
18	B14010-15S	HOT SURFACE IGNITOR ASM.	1	1	1	1	1	1										
19	B13701-54	ROLLOUT SWITCH, 350F	2	2	2	2	2	2										
20	25227-03S	INSHOT BURNER ASM.	3	4	5	3	4	5										
21	B25893-45	ORIFICE #45	3	4	5	3	4	5										
22	B28260-00	MANIFOLD, 3 CELL, GSUS																
	B28260-01	MANIFOLD, 4 CELL, GSUS	1	1		1	1											
	B28260-02	MANIFOLD, 5 CELL, GSUS			1			1										
*23	B12826-17	GAS VALVE, H.S.I.				1	1	1										
	*B12826-23	GAS VALVE, H.S.I.	1	1	1													
24	28135-00	BURNER RACK 3 CELL																
	28135-01	BURNER RACK 4 CELL	1	1		1	1											
	28135-02	BURNER RACK 5 CELL			1			1										
25	28095-03	MANIFOLD MOUNTING BRACKET	2	2	2	2	2	2										
26	28131-00	COMBUSTION BOX WRAPPER 14"																
	28131-01	COMBUSTION BOX WRAPPER 17"	1	1		1	1											
	28131-02	COMBUSTION BOX WRAPPER 21"			1			1										
27	28136-03	AIR BAFFLE 14"																
	28136-04	AIR BAFFLE 17"	1	1		1	1											
	28136-05	AIR BAFFLE 21"			1			1										
28	28132-03	COMBUSTION BOX BOTTOM 14"																
	28132-04	COMBUSTION BOX BOTTOM 17"	1	1		1	1											
	28132-05	COMBUSTION BOX BOTTOM 21"			1			1										
29	28133-00	COMBUSTION BOX COVER 14"																
	28133-01	COMBUSTION BOX COVER 17"	1	1		1	1											
	28133-02	COMBUSTION BOX COVER 21"			1			1										
30	B13400-20	MOTOR 1/2 H.P.																
	B13400-21	MOTOR 1/3 H.P.	1	1	1	1	1	1										
31	B13680-16	BLOWER WHEEL (10x8)																
	B13680-34	BLOWER WHEEL (10x6)	1	1		1	1											
	B13680-47	BLOWER WHEEL (10x10)			1			1										
32	25393-00	BLOWER SHELL ASM. (10x6)																
	25393-01	BLOWER SHELL ASM. (10x8)	1	1		1	1											
	25393-03	BLOWER SHELL ASM. (10x10)			1			1										
33	B13921-36	2" CLEAR VIEWPORT BUSHING	2	2	2	2	2	2										
34	25145-01	J-BOX	1	1	1	1	1	1										
35	25155-01	J-BOX COVER	1	1	1	1	1	1										
36	B28208-11	DRAIN TRAP ASM.	1	1	1	1	1	1										
37	B9456-52	CAPACITOR 10/370																
	B9456-72	CAPACITOR 12.5/370	1	1	1	1	1	1										

\*When converting from natural gas to liquid propane use alternate valve B12826-24

I T E M	PART NUMBER	DESCRIPTION	G	G	G	G	G	G								
			S	S	S	S	S	S								
			M	M	M	M	M	M								
			S	S	S	0	0	1								
			0	0	1	6	8	0								
			6	8	0	0	0	0								
			0	0	0	-	-	-								
			-	-	-	3	4	4								
			3	4	4											
38	B11416-00	TRANSFORMER	1	1	1	1	1	1								
39	B18099-12	HSI MODULE														
	18099-13S	HSI MODULE W/ HARNESS	1	1	1	1	1	1								
40	B13701-56	AIR PRESSURE SWITCH	1													
	B13701-57	AIR PRESSURE SWITCH	1	1	1	1	1	1								
	B13701-59	AIR PRESSURE SWITCH		1	1											
41	B13708-20	DOOR SWITCH	1	1	1	1	1	1								
42	18158-12	CONTROL MOUNT PANEL	1	1	1	1	1	1								
43	28784-00S	WIRE HARNESS KIT	1	1	1											
	28784-01S	WIRE HARNESS KIT				1	1	1								
44	B28107-00	DRAIN TRAP & HOSE PACKAGE														
	B28107-01	DRAIN TRAP & HOSE PACKAGE	1	1		1	1									
	B28107-02	DRAIN TRAP & HOSE PACKAGE			1			1								
45	B18105-25	2" COMBUSTION BOX KIT	1			1	1									
	B18105-26	3" COMBUSTION BOX KIT		1	1		1	1								