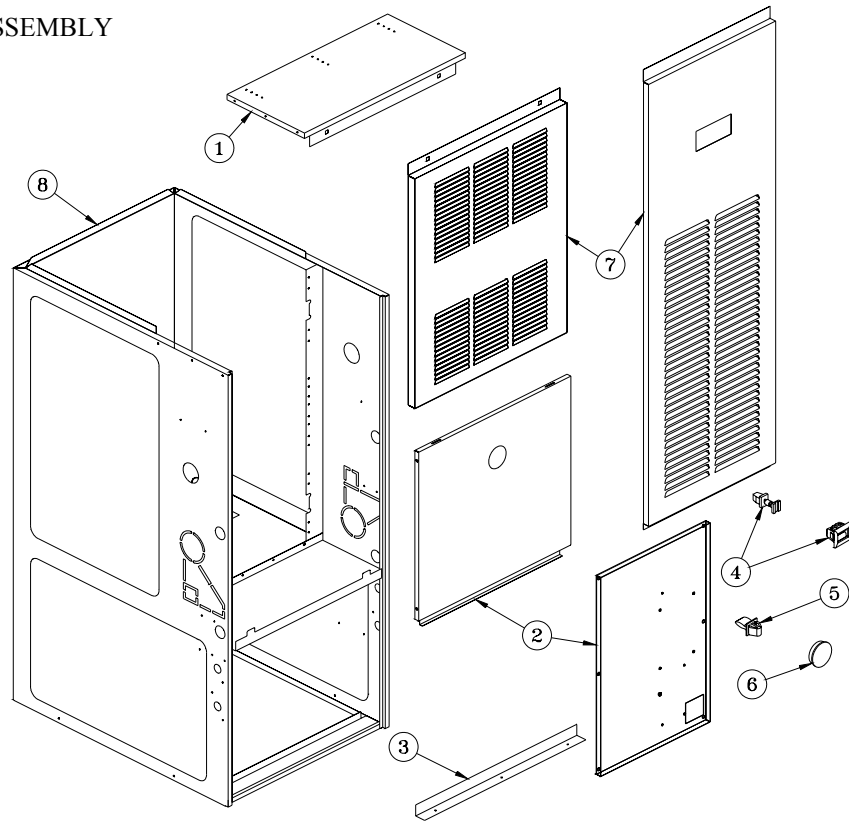
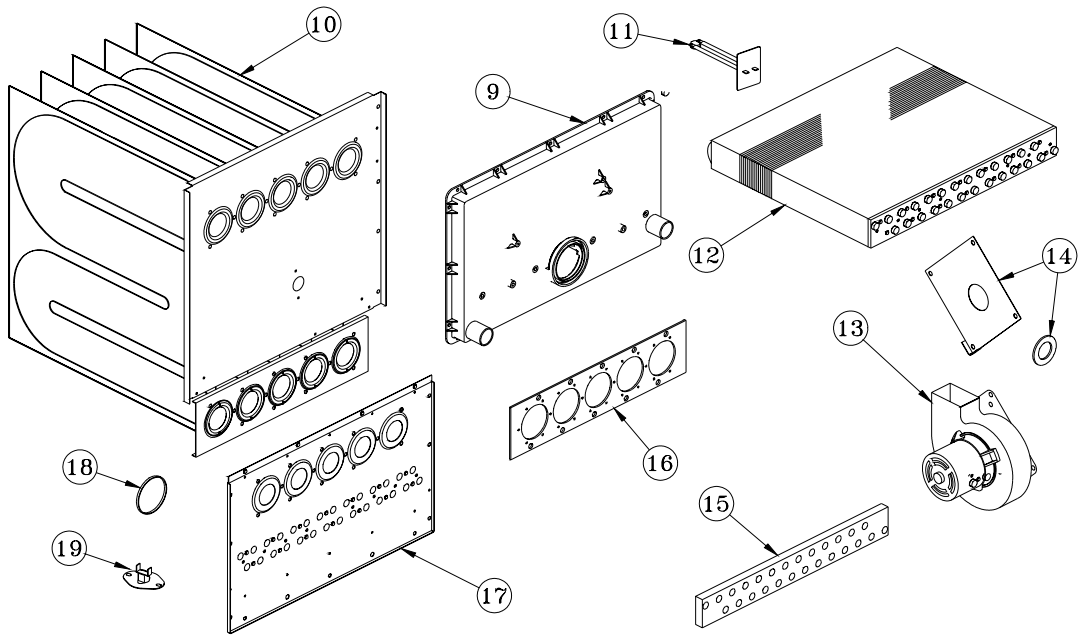


GAS FURNACE REPAIR PARTS

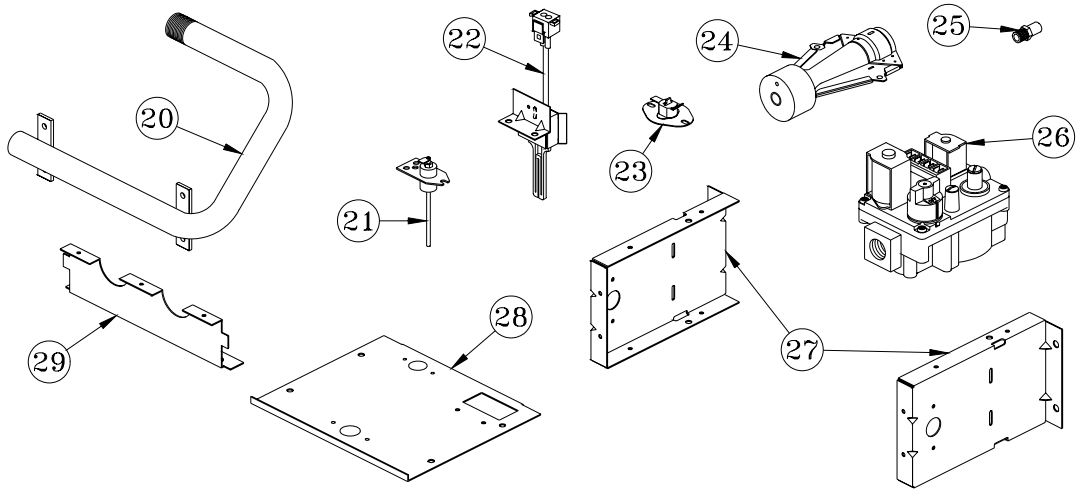
WRAPPER ASSEMBLY



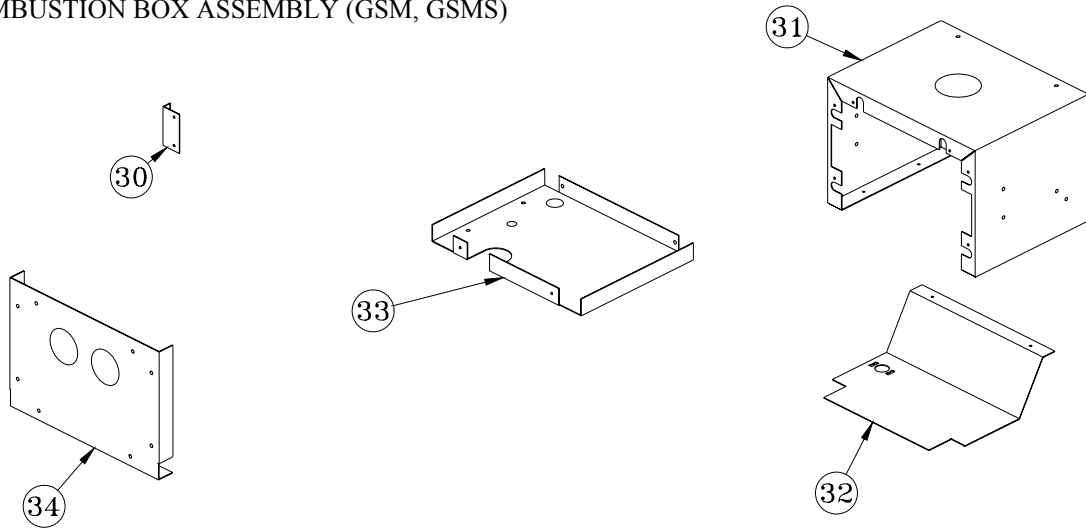
HEAT EXCHANGER ASSEMBLY



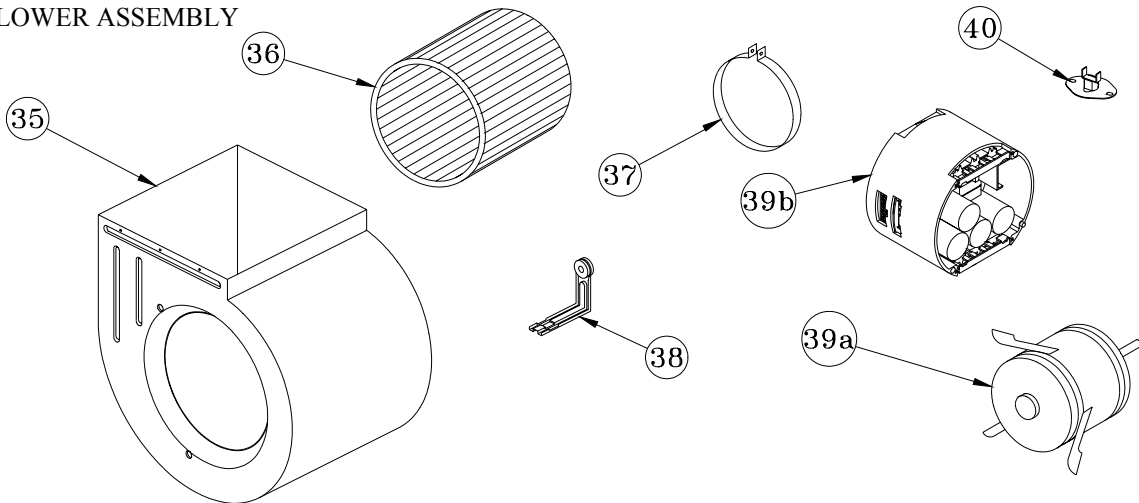
BURNER BOX ASSEMBLY



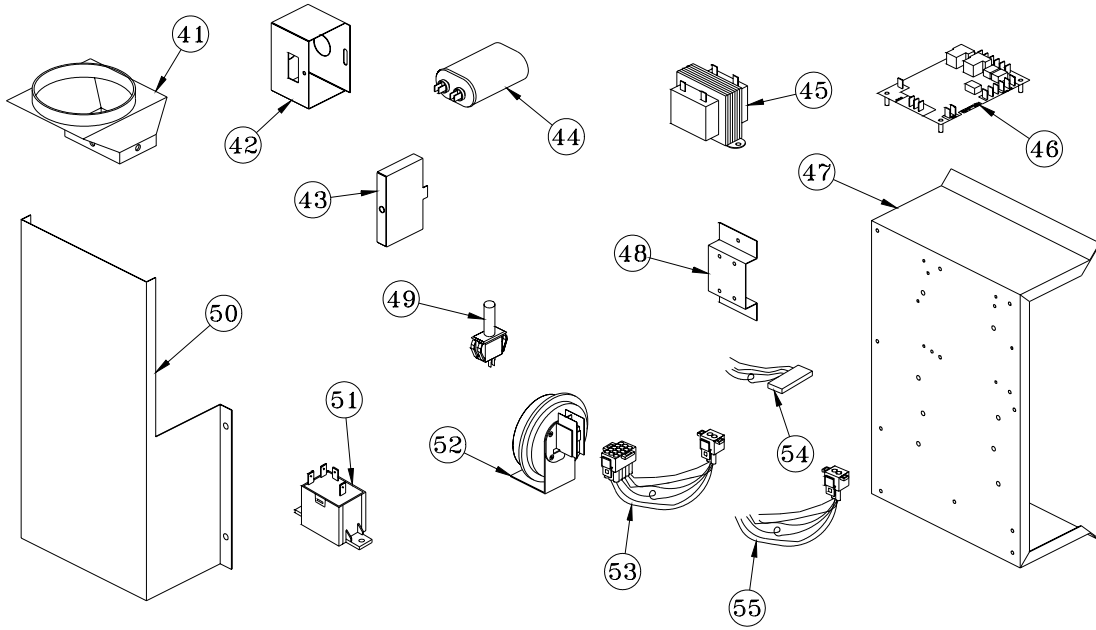
COMBUSTION BOX ASSEMBLY (GSM, GSMS)



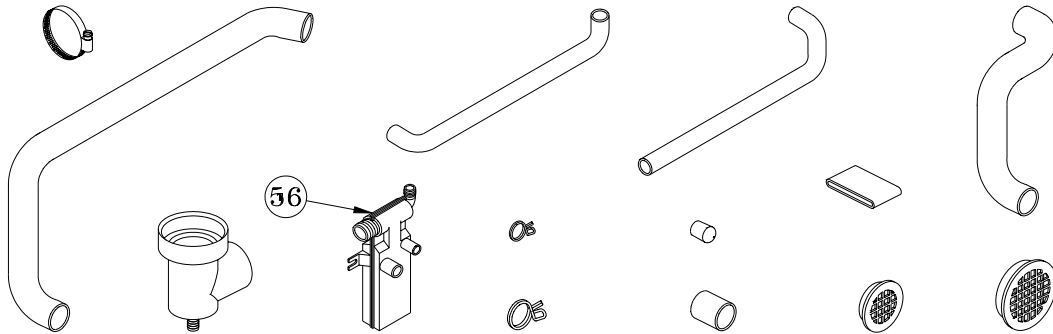
BLOWER ASSEMBLY



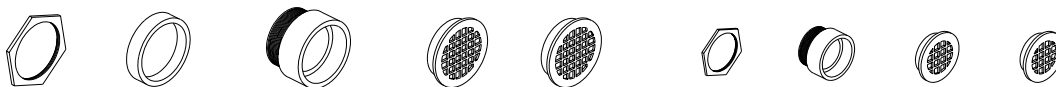
MISC. ELECTRICAL & HARDWARE



ITEM #57 DRAIN TRAP & HOSE KIT (GMPN, GSM, GSMS)



ITEM #58 COMBUSTION BOX KIT (GMPN, GSM, GSMS)



ITEM	PART NUMBER	DESCRIPTION	GMP					GMP 50HZ					GMPH				GMPE				GPD					GMPN					GSMS			GSM						
			0	0	0	1	1	1	1	1	1	1	0	0	1	1	1	0	0	0	1	0	1	1	0	0	1	1	0	0	0	1	1	0	0	1	0	0	1	0
			5	7	7	0	0	0	2	2	5	5	7	0	2	5	5	7	8	2	7	0	2	5	7	0	2	4	6	8	0	2	6	8	0	6	8	0		
			0	5	5	0	0	0	5	5	0	0	5	0	5	0	0	5	0	0	5	0	5	0	5	0	5	0	0	0	0	0	0	0	0	0	0			
			-	-	-	-	-	-	-	-	-	-	-	-	-	-	-	-	-	-	-	-	-	-	-	-	-	-	-	-	-	-	-	-	-	-	-			
			3	3	4	3	4	5	4	5	5	3	3	4	5	5	3	4	5	5	3	4	5	3	3	4	4	3	3	4	4	5	3	4	4	3	4	4		
			2	2	2	2	2	2																																
7	25120-04P	ACCESS DOOR, 14"																						1	1															
	25120-05P	ACCESS DOOR, 17"																								1														
	25120-06P	ACCESS DOOR, 21"																									1													
	*25125-08	ACCESS DR W/STRIKE, 14"	1	1								1	1			1																								
	*25125-09	ACCESS DR W/STRIKE, 17"			1	1	1						1			1				1																				
	*25125-10	ACCESS DR W/STRIKE, 21"						1	1	1				1					1		1	1																		
	*25125-11	ACCESS DR W/STRIKE, 24"								1				1					1																					
	28125-04	ACCESS DR W/TURNS, 14"																												1					1					
	28125-05	ACCESS DR W/TURNS, 17"																																			1			
	28125-06	ACCESS DR W/TURNS, 21"																																				1		
	*28125-07	ACCESS DR W/STRIKE, 14"																									1	1												
	*28125-08	ACCESS DR W/STRIKE, 17"																											1											
	*28125-09	ACCESS DR W/STRIKE, 21"																																			1			
	*28125-10	ACCESS DR W/STRIKE, 24"																																				1		
8	25165-04S	WRAPPER ASM., 14"																							1	1														
	25165-05S	WRAPPER ASM., 17"																									1													
	25165-06S	WRAPPER ASM., 21"																										1												
	25165-12S	WRAPPER ASM., 14"	1	1								1	1			1																								
	25165-13S	WRAPPER ASM., 17"			1	1	1							1					1			1																		
	25165-14S	WRAPPER ASM., 21"						1	1	1				1					1		1	1																		
	25165-15S	WRAPPER ASM., 24"								1				1					1																					
	28165-12S	WRAPPER ASM., 14"																									1	1									1			
	28165-13S	WRAPPER ASM., 17"																											1									1		
	28165-14S	WRAPPER ASM., 21"																																				1		
	28165-15S	WRAPPER ASM., 24"																																				1		
9	**25100-00S	FLUE COLLECTOR BOX, 14"	1	1								1	1			1								1	1															
	**25100-01S	FLUE COLLECTOR BOX, 17"			1	1	1						1				1				1					1														
	**25100-02S	FLUE COLLECTOR BOX, 21"						1	1	1				1					1		1	1					1													
	**25100-03S	FLUE COLLECTOR BOX, 24"								1					1					1																				
	**28200-04S	FLUE COLLECTOR BOX, 14"																										1	1									1		
	**28200-05S	FLUE COLLECTOR BOX, 17"																												1									1	
	**28200-06S	FLUE COLLECTOR BOX, 21"																																					1	
	**28200-07S	FLUE COLLECTOR BOX, 24"																																					1	

I T E M	PART NUMBER	DESCRIPTION	GMP					GMP 50HZ					GMPH				GMPE				GPD				GMPN					GSMS			GSM							
			0 5 0 -3	0 7 5 -3	0 7 5 -4	1 0 0 -3	1 0 0 -4	1 2 5 -5	1 2 5 -4	1 2 5 -5	1 5 0 -3	1 7 0 -3	1 0 5 -4	1 2 5 -5	1 5 0 -3	1 7 8 -4	1 2 2 -5	1 0 0 -3	1 1 0 -4	1 1 0 -5	1 0 5 -3	1 1 0 -4	1 1 0 -5	1 0 5 -3	1 1 0 -4	1 1 0 -5	1 0 0 -3	1 0 0 -4	1 1 0 -5	1 0 0 -3	1 0 0 -4	1 1 0 -5	1 0 0 -3	1 0 0 -4	1 1 0 -5					
10	25213-00S	HT EXCH SUB ASM, 2 CELL	1						1				1						1																					
	25213-01S	HT EXCH SUB ASM, 3 CELL		1						1			1		1				1																					
	25213-02S	HT EXCH SUB ASM, 4 CELL			1	1					1			1					1																					
	25213-03S	HT EXCH SUB ASM, 5 CELL					1	1				1						1				1																		
	25213-04S	HT EXCH SUB ASM, 6 CELL							1				1				1																							
	25213-05S	HT EXCH SUB ASM, 3 CELL		1																																				
	25213-06S	HT EXCH SUB ASM, 4 CELL					1																																	
	*28213-00S	HT EXCH SUB ASM, 3 CELL																									1				1				1					
	*28213-01S	HT EXCH SUB ASM, 4 CELL																										1				1				1				
	*28213-02S	HT EXCH SUB ASM, 5 CELL																											1							1				
	*28213-03S	HT EXCH SUB ASM, 6 CELL																																						
	*28213-04S	HT EXCH SUB ASM, 2 CELL																																						
	13709-02S	LIMIT SWITCH, 210F, 3"						1																																
	13709-03S	LIMIT SWITCH, 240F, 3"					1						1	1																										
	13709-05S	LIMIT SWITCH, 290F, 3"			1	1																																		
	13709-06S	LIMIT SWITCH, 150F, 7"																										1												
	13709-08S	LIMIT SWITCH, 160F, 7"		1								1							1									1	1		1				1					
	13709-09S	LIMIT SWITCH, 160F, 3"																																						
	13709-10S	LIMIT SWITCH, 170F, 7"												1	1																									
	13709-11S	LIMIT SWITCH, 220F, 3"			1																																			
	13709-12S	LIMIT SWITCH, 240F, 7"	1						1		1		1	1																										
	13709-14S	LIMIT SWITCH, 220F, 7"								1																														
	13709-15S	LIMIT SWITCH, 230F, 3"																																						
12	28646-04S	SERVICE COIL, 14"																																						
	28646-05S	SERVICE COIL, 17"																																						
	28646-06S	SERVICE COIL, 21"																																						
	28646-07S	SERVICE COIL, 24"																																						
13	18590-05S	VENTER BLOWER ASM	1	1	1	1	1	1	1	1					1	1	1	1	1	1	1	1	1	1	1	1	1	1	1	1	1	1	1	1	1	1	1	1		
	B18590-505	VENTER BLOWER ASM									1	1	1	1	1																									
	B28330-01	VENTER BLOWER ASM																																						
	B28330-02	VENTER BLOWER ASM																																						

*FOR UNITS WITH SERIAL NUMBER 9805 OR GREATER:
 WHEN ORDERING ITEM # 7 ALSO ORDER #1.
 **FLUE COLLECTOR BOX INCLUDES GASKET MATERIAL.
 *ITEM #10 INCLUDES ITEM #16 FOR ORDERS PLACED AFTER 6/99.

